



OpenWrt Series Product Specification

OpenWrt series open sources router that is well-developed by HouTian Network, is a professional WiFi router that can be done second development, **the original creation D/A temperature compensated auto frequency control technology (TAFC)**, it solved the common failing of the traditional WiFi signal or wifi products that easily drop the network, make lasting stability to ensure that the WiFi signal is not dropped. Its powerful hardware configuration and open source characteristics, make it fit for WiFi signal coverage in office environment and fit to second develop the customized WiFi router. Its main feature as below:

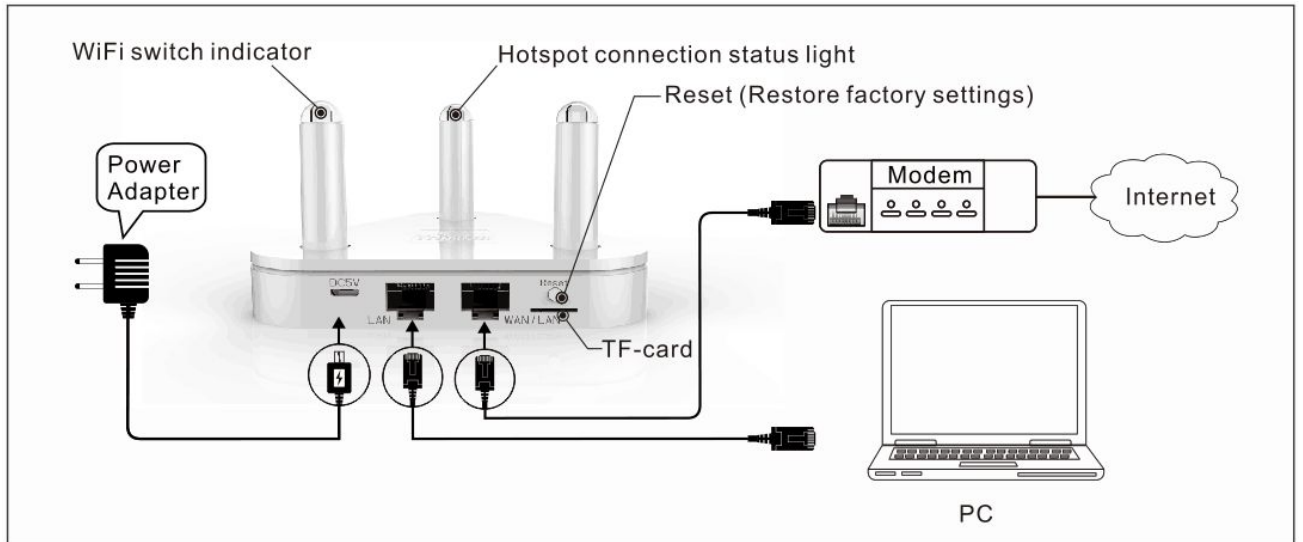
1. Support auto mount T-card (EXT2), Mount Directory: /data;
2. Support VNET-AD 1.4 Advertising router protocol;
3. Support PORTAL Authentication of iPhone(IOS);
4. Support WEB remote firmware upgrade, can get the latest firmware for free;
5. Automatically start the web service of nginx , service configuration file:
/etc/nginx/nginx.conf;
6. Automatically start PHP service, service configuration should be set up, the configuration file is the same as nginx;
7. Automatically start dnsmasq (DNS agent);
8. Automatically start ntp client (Automatically time);
9. Support VDNS configuration, the web configure address is: http://:vonets.cfg:81;
10. Built-in 8G T-Flash card, after reset to the factory status, support automatic format T-Flash card;
11. Support 802.11b/g/n WiFi transmission protocol, 300Mbps rate of transmission, support connecting more than 20pcs WiFi terminal at the same time.
12. The transmission distance (without obstacle) : 100m;
13. Support SSH log in (user name: root, password: root);
14. Support luci script;
15. Support python2.7, python-openssl
16. The related download as below:
 - VNET-AD Advertising router protocol and configuration documents as below:
http://www.vonets.com.cn/ProductViews.asp?D_ID=96#
 - LUCI script instruction download: <http://www.vonets.com.cn/ProductV>
17. Support local WEB management, Chinese and English configuration interface;
18. Adopt D/A temperature compensated auto frequency control technology, make the lasting stability to ensure that the WiFi signal is not dropped;
19. Original creation VDNS virtual domain configuration technology to solve the user's trouble of configuration;
20. Adopt USB DC5V Power supply;



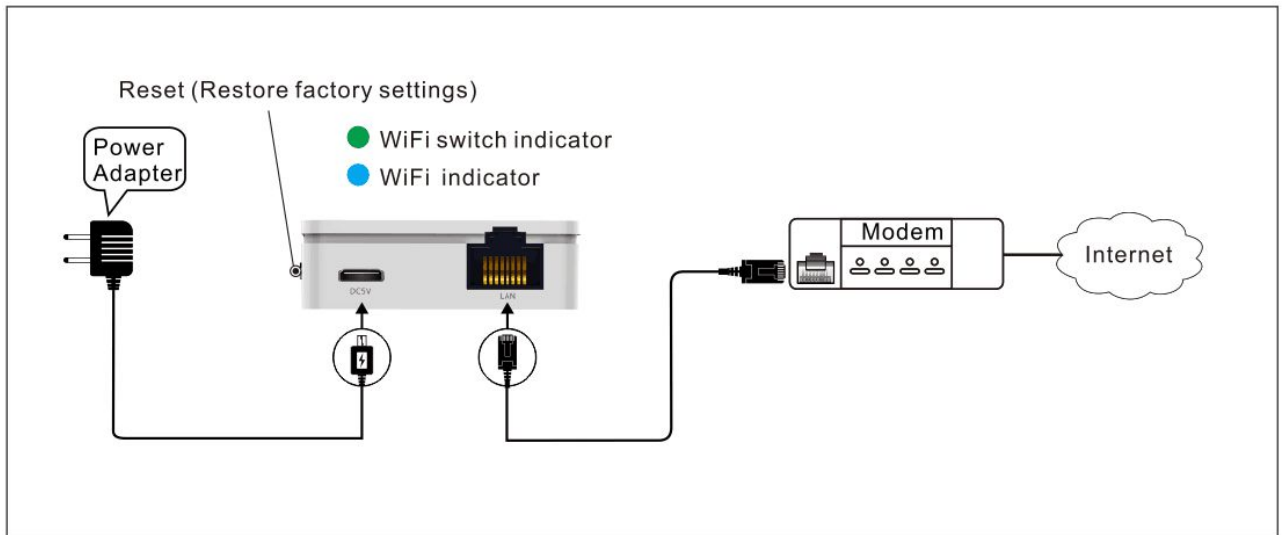
21. Low power consumption, the average power consumption is less than 1W;
22. Support WPA-PSK/WPA2-PSK、64/128/WEP security mechanism;
23. Good compatibility, almost compatible with all smart phones, tablet PCs, laptops, Internet access and other WiFi devices.

Product Series		VOPWRT Series	MINIOP Series
WiFi Protocol		IEEE 802.11b/g/n	
WiFi Transmission rate		300Mbps	
Reset Button		Long press 3 seconds	
RJ45 Port	WAN	10/100Mbps	10/100Mbps
	LAN	10/100Mbps	Doesn't support
LED Light	WiFi Status Light	Blue Light	Blue Light
	System Status Light	Green Light	Blue Light
Power supply method	Micro USB Power supply	Support	Support
	POE Power supply	Optional	Doesn't support
T-Flash Card		8GB	8GB
Power Parameters		5V/1A	5V/1A
Average Power Consumption		1W	1W
RF Transmit Power		13dbm -- 14.5dbm	13dbm -- 14.5dbm
Antenna Quality		2T/2R	2T/2R
Antenna Type		Built-in	Built-in
Net weight		75g	28g
Gross weight		154g	55g
Product Size		110mm X 110mm X 59mm (L X W X H)	24. 44mm X 44mm X 14mm (L X W X H)

VOPWRT Series Application Diagram



MIMIOP Series Application Diagram



Product Picture, as below:

VOPWRT Series



MINIOP Series

